

5

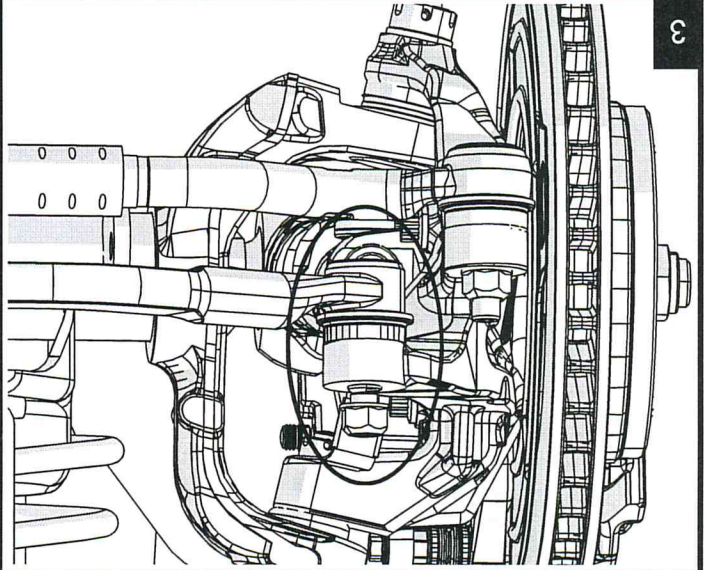
Prep your new TeraFlex Premium HD Forged Drag Link for installation by installing the following:

- #344407 Dust Boot Retaining Spring (1 Qty. per drag link end)
- #304 Set Screw Plug. Use blue Loctite. (2 Qty. per drag link end)

Refer to the parts list on page 4 and 5 for part identification and location.

(NOTE: Extra O-Rings are included for future maintenance and do not need to be installed in initial setup)

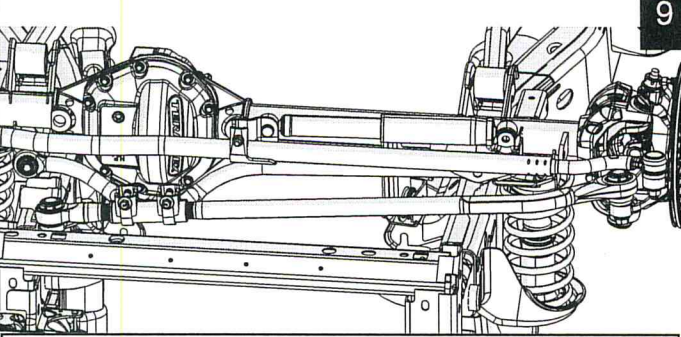
3



1

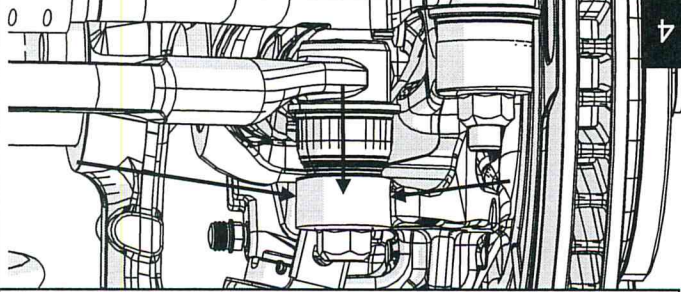
Start your install with safety in mind. Begin by chocking your rear tires. Raise and support the front of the Jeep so that the tires are off the ground. Remove the front passenger side tire and wheel assembly.

6



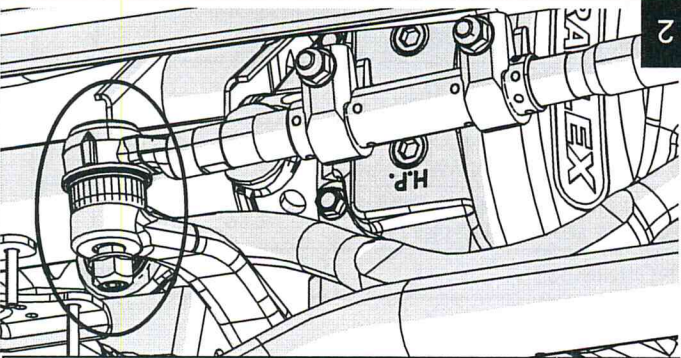
Measure your factory drag link from the center of the drag link end to the center of the drag link end on the other side. Adjust your new TeraFlex drag link to match as closely as possible. Install your new drag link and torque the drag link end nuts to 63 ft. lbs.

4



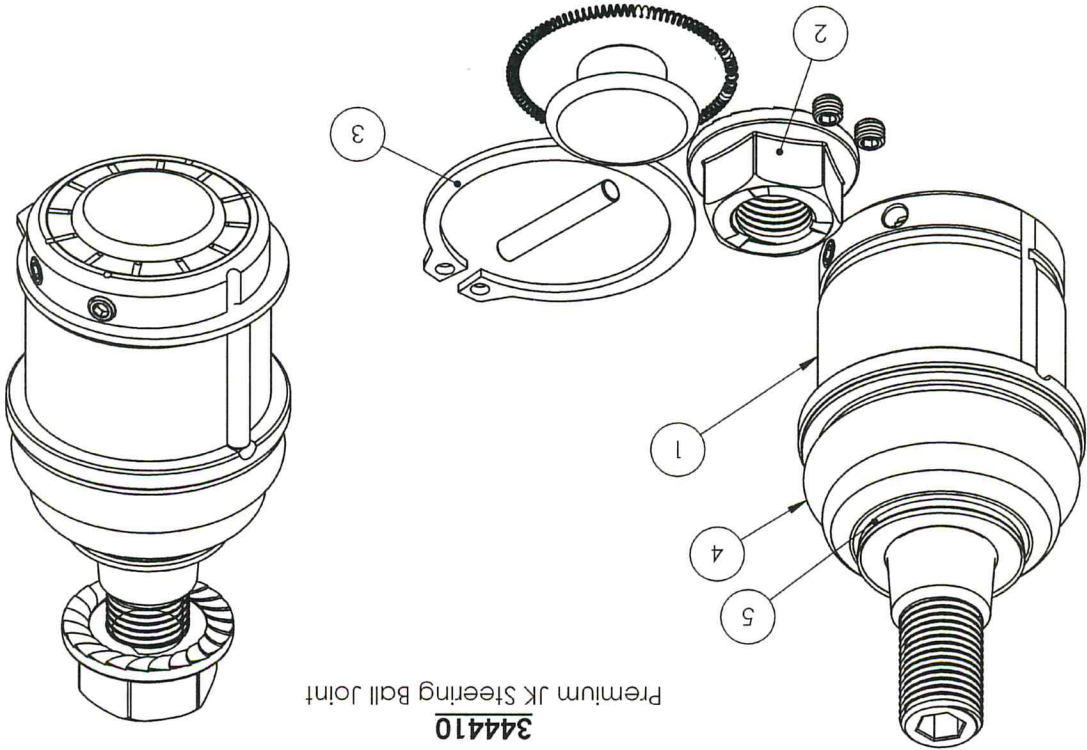
Use a hammer to strike around the knuckle casting, perpendicular to the tie rod end stud, until the drag link falls and is free from the knuckle. A "Tie Rod End Pull-er" is suggested to remove the pitman arm side drag link end. Using a hammer can cause damage to your steering box if not done carefully and correctly. Finish unthreading the nuts and remove the drag link.

2

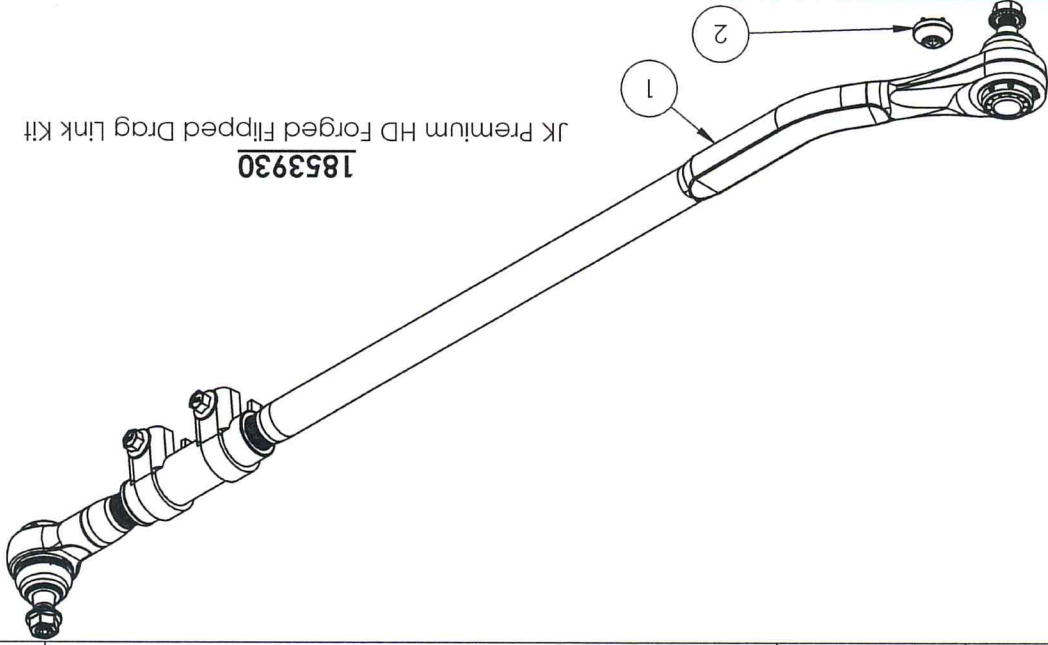


Using a 21mm socket (a wrench will be needed on the pitman arm side), loosen both drag link end nuts, but do not completely remove. Leave the nuts threaded on a few threads to prevent the drag link from falling to the floor when broken loose.

ITEM NO.	PART NUMBER	DESCRIPTION	344410/QTY.
1	344400	JK HD Steering Ball Joint Stud and Housing Assembly	1
2	344415	Premium JK Steering Ball Joint Hardware Pack	1
3	344416	Premium JK Steering Ball Joint Production Hardware Pack	1
4	344405	Premium JK Steering Ball Joint Bi-Fold Dust Boot	1
5	344406	Premium JK Steering Ball Joint Dust Boot Retaining Ring	1



ITEM NO.	PART NUMBER	DESCRIPTION	QTY.
1	853935	JK HD Forged Flipped Drag Link Assembly with Premium Ball Joints	1
2	344000	HD Ball Joint Adjusting Tool	1
3	700136	JK Forged Drag Link Box	1
4	999181	Instructions for JK HD Drag Link Kit	1



ITEM NO.	PART NUMBER	DESCRIPTION	QTY.
1	853925	JK HD Forged Drag Link Assembly with Premium Ball Joints	1
2	344000	HD Ball Joint Adjusting Tool	1
3	700136	JK Forged Drag Link Box	1
4	999181	Instructions for JK HD Drag Link Kit	1

